

## DUAL OPTICAL SMOKE DETECTOR

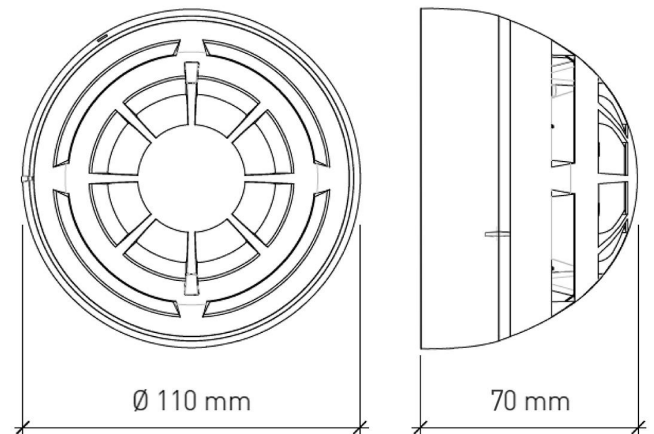
The TW-DO-01 Taurus wireless dual optical smoke detector is the latest in wireless smoke detector technology. The detector utilises dual optical smoke detection technologies and algorithms for improved performance, and maintaining the highest levels of false alarm rejection. Utilising well-proven adaptive radio signal processing algorithms it ensures the highest levels of life safety and system reliability are achieved. In-built magnet test allows easy activation to verify correct functionality and response.



### KEY FEATURES

- Advanced dual optical chamber design
- Dual angle scattering analysis
- Advanced drift compensation
- Bi-directional wireless communication
- Can be used with Taurus addressable and conventional translators
- 22 pairs of field channels
- Dual channel redundancy
- Long communication range ( $\cong 1$  km in open air)
- 10 year battery life
- Utilises standard low-cost lithium battery technology
- Device identification tab
- Fast test feature for engineer testing
- Easy scan & link programming option
- Security screw to prevent tampering and unwanted removal
- 3rd party approved
- 5 year product warranty
- Tri-coloured LED

### TECHNICAL INFORMATION



## TECHNICAL SPECIFICATION

Operating frequency range	868 – 870 MHz
Max radiated power	14dBm (25mW)
Dimensions	110mm x 70mm
Weight (without batteries)	155 g
Batteries	2x CR123A
Operating Temperature	-10°C to +55°C
Max humidity (non condensing)	95% RH
IP rating	40

## STANDARDS & APPROVALS

- EN54-7 Smoke Detectors
- EN54-25: Components using radio links



0051

## BASE COMPATIBILITY

This device is supplied with a standard base and is compatible with the following Argus base sounders / beacons:

- TW-BS-01 Wireless Sounder Base
- TW-BSB-23W-01 Wireless Sounder Bases+ beacon white light (EN-54 23 approved)
- TW-BSB-23R-01 Wireless Sounder Bases+ beacon red light (EN-54 23 approved)

## ORDER CODE

TW-DO-01

TAURUS DUAL OPTICAL SMOKE DETECTOR

Check if this document is up to date

Argus Security Srl, Via del Canneto, 14, 34015 Muggia, (TS), Italia T: +39-040.23.96.411, E: info@argussecurity.it, W: www.argussecurity.it

As our policy is one of constant product improvement the right is therefore reserved to modify product specifications without prior notice.