

STI MINI STOPPER®



STI-6600



PRODUCT OVERVIEW

This unique device has been helping stop false fire alarms around the world for decades, without restricting legitimate operation of your pull station. Custom versions of this same cover are used to protect devices such as access controls, digital keypads, smaller manual pull stations, shutdown switches in computer rooms or workshops and many more. These versatile covers offer excellent protection against physical damage (both accidental and intentional). The Mini Stopper (STI-6500) consists of a clear, tough polycarbonate cover and frame that fits over the unit you wish to protect. When additional security is needed, the Mini Stopper® II (STI-6600) unit with the 9 VDC horn is recommended. When the cover is lifted to gain access to the protected unit, its battery powered alarm emits a piercing 105 dB at a one foot distance. Immediate attention is drawn to the area and a prankster will either run or be caught. With gaskets, Mini Weather Stopper® (STI-6525) can dramatically extend the life of equipment mounted in saltwater areas, areas requiring frequent hosing down and in severe environments inside and out.

KEY FEATURES

General Information

- Protects against vandalism, accidental damage and grime as well as severe environments inside and outside.
- Perfect for protecting shutdown switches in computer rooms and workshops as well as other push buttons.
- STI-6500 and STI-6505 can be used over volume and lighting controls.
- Three year guarantee against breakage of polycarbonate in normal use (one year on electro mechanical and electronic components).

Design

- Mini Weather Stopper dramatically extends the lifespan of devices in saltwater areas.

Construction

- Cover is molded from thick, super tough polycarbonate material.
- UL Listed to U.S. and Canadian safety standards for standard and custom labeling.

Installation

- Matching spacer available for surface mount units.
- Typical working properties of polycarbonate are -40° to 250°F (-40° to 121°C).
- Fast and easy installation.

Electronics

- Models available with or without 105 dB horn.

Options

- Standard red units have "In Case of Fire..." label unless specified no label or custom label (charge for custom label).
- Models available with or without 105 dB horn.
- Available with red, green, blue, white or yellow horn housing shell with custom labeling.
- Weather resistant covers available.



For more information, call 1-800-888-4784 (4STI) or visit www.sti-usa.com



**Safety Technology
International, Inc.**

STI Mini Stopper®

Dimensions and Technical Information

MODELS AVAILABLE

STI-6500	Mini Stopper without horn flush mount
STI-6505	Mini Stopper without horn with spacer
STI-6510	Mini Stopper without horn flush mount with lock
STI-6525	Mini Weather Stopper® (Indoor/Outdoor Rated) without horn, with gaskets - flush mount
STI-6535	Mini Weather Stopper (Indoor/Outdoor Rated) without horn, with gaskets - with spacer
STI-6540	Mini Stopper® II without horn flush mount
STI-6545	Mini Stopper II without horn with spacer
STI-6600	Mini Stopper II with horn flush mount
STI-6605	Mini Stopper II with horn surface mount
STI-6610	Mini Stopper II with horn flush mount with lock

Accessories

STI-6515	Stopper® Seal tamper resistant accessory for use with Mini Stopper (see separate spec)
STI-6531	Conduit spacer for surface mounting
STI-6532	Clear 1.25 in. spacer
STI-6581	Mounting backplate for Mini Stopper
STI-6602	Replacement horn for cover with alarm
SUB-65	Breakaway seal kit for STI-6515
SUB-317	Weather gasket kit for flush or surface covers (included in weather models). Gaskets not for use with units containing a horn.
SUB-319	Remote wiring harness for STI-6600 series

APPROVALS & WARRANTY

TESTING

It has been tested and approved or listed by:

- Underwriter Laboratories No. S2466.
For fire alarm applications, UL38 requires outdoor listed stations for outdoor use.
- Canada Underwriter Laboratories No. S2466
- MEA Approved #49-00-E (STI-6500 and STI-6505)
- CSFM Approved (STI-6500 only) for use over STI Fire Stopper® Station (SS2000F)
- ADA Compliant
- The STI-6525 or STI-6535 station covers, when mounted on a smooth surface, provide a rain tight seal similar to a 3R enclosure rating.

NOTE: No approvals on STI-6510, STI-6515 and STI-6610.

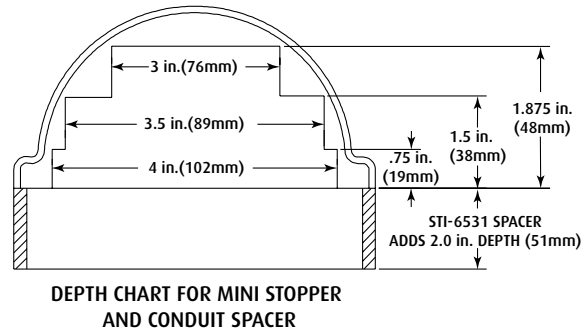
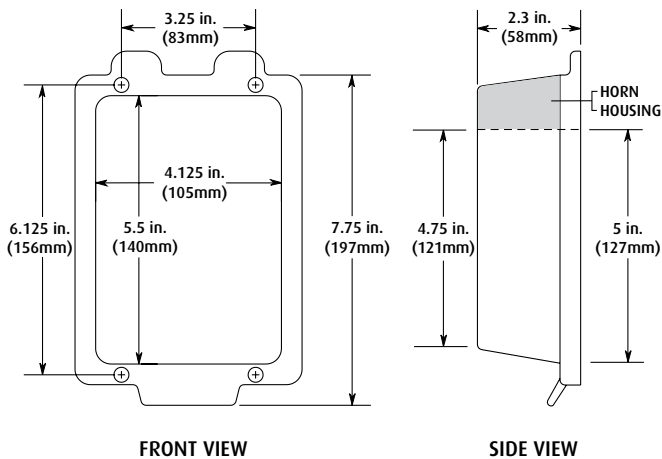
WARRANTY

Three year guarantee against breakage of polycarbonate in normal use (one year on electro mechanical and electronic components).

IMPORTANT NOTICE

Mini Stopper II is intended to be used in areas where the incidence of false fire alarms from manual pull stations is high or has proven to be a serious problem. Any disadvantage of this device is more than balanced when one considers the consequences of false fire alarms, especially if fire service personnel and equipment are responding to a false fire alarm when they are needed for a real fire somewhere else. Add to this the disruption to the facility when false alarms occur. If you have, or may have, a problem with false fire alarms or physical/weather damage to your fire alarm activation devices, the Mini Stopper II could prove invaluable.

NOTE: To maintain UL Listing for outdoor applications, UL requires the manual pull station under the cover is UL Listed for outdoor use. End user must verify the alarm and battery every six months and replace battery annually or as required.



Safety Technology International, Inc.

2306 Airport Road
Waterford, Michigan
48327, USA

Tel: 248-673-9898
Fax: 248-673-1246
Toll-free: 800-888-4784
info@sti-usa.com
www.sti-usa.com

Unit 49G Pipers Road
Park Farm Industrial Estate
Redditch, Worcestershire
B98 0HU England

Tel: 44 (0) 1527 520 999
Fax: 44 (0) 1527 501 999
info@sti-europe.com
www.sti-europe.com