

# STI FIRE EXTINGUISHER THEFT STOPPER®



STI-6200

## PRODUCT OVERVIEW

If you are fed up with replacing your fire extinguishers, this sturdy, tamperproof, self-contained alarm is the answer. It has proven highly effective in helping stop theft, misuse or vandalism of fire extinguishers. Yet, it leaves the extinguisher accessible for emergencies and does not interfere with fire fighting in any way.

## HOW IT WORKS

If the protected fire extinguisher is moved from its normal position, the device emits a piercing alarm. Also, the highly visible stop sign design and the words "STOP, EMERGENCY USE ONLY" discourages wrongful use. The device is easy to install and a deactivation cable is supplied for ease in servicing the extinguisher. A 9 VDC alkaline battery is included.

## KEY FEATURES

### General Information

- Highly visible "stop sign" design discourages wrongful use of extinguisher.
- Deactivation cable provided for service by authorized personnel.
- Three year guarantee against breakage of polycarbonate in normal use (one year on electro mechanical and electronic components).

### Design

- Compact design 5.375 in. (137mm) in diameter and 2 in. (51mm deep). Mounts easily next to extinguisher.

### Construction

- Virtually indestructible polycarbonate housing.

### Installation

- For fire extinguishers housed in cabinets, refer to STI-6255 Mini Theft Stopper®.

### Electronics

- Sounds a powerful warning horn when activated, drawing attention in a hurry.
- 9 VDC alkaline battery is provided.
- Volume: HI 112dB @ 1 ft., 103dB @ 3 ft.  
LOW 109dB @ 1 ft., 98dB @ 3 ft.

### Options

- STI-6200WIR supervised wireless 433 MHz (4 or 8-Channel Receiver required). Operates up to 1000' (line of sight).
- Remote powered 12 VDC model available for special applications (STI-6200R).

# STI Fire Extinguisher Theft Stopper®

Dimensions and Technical Information

## MODELS AVAILABLE

<b>STI-6200</b>	Fire Extinguisher Theft Stopper
<b>STI-6200R</b>	Fire Extinguisher Theft Stopper with 12 volt, remote powered horn
<b>STI-6200WIR</b>	Wireless Fire Extinguisher Theft Stopper
<b>STI-6200WIR8</b>	Wireless Fire Extinguisher Theft Stopper with 8-Channel Receiver
<b>STI-V6200WIR4</b>	Wireless Fire Extinguisher Theft Stopper with 4-Channel Voice Receiver
<b>STI-34108</b>	8-Channel Receiver
<b>STI-V34104</b>	4-Channel Voice Receiver
<b>KIT-18015-9</b>	6 in. deactivation cable used during service times
<b>KIT-18015-RC</b>	Replacement cable and crimp 16-18 in. long
<b>KIT-6702</b>	Tamper proof screw and wrench

## APPROVALS & WARRANTY

**STI-6200, STI-6200WIR & STI-6200WIR4**  
 It has been tested and approved or listed by:

- FCC & IC Compliant
- CE Approved

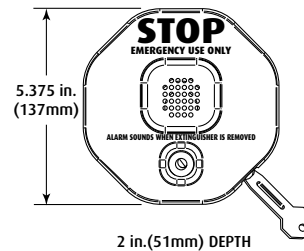
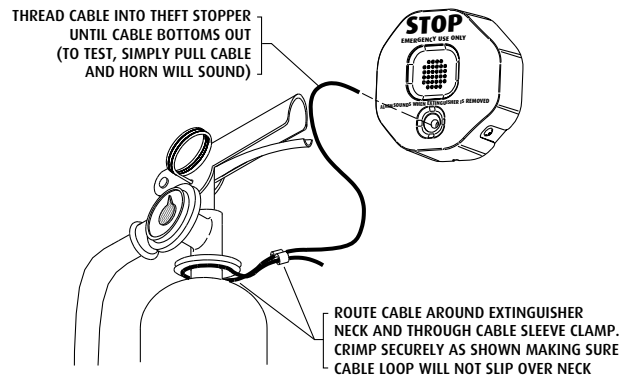
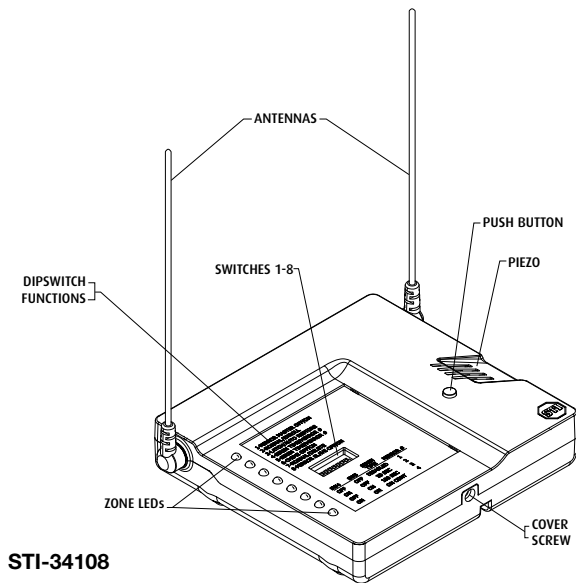
## WARRANTY

Three year guarantee against breakage of polycarbonate in normal use (one year on electro mechanical and electronic components).

## PRODUCT INFORMATION

This sturdy, tamper resistant, self-contained device helps prevent the theft or vandalism of fire extinguishers. Experience has shown its highly visible "stop sign" design is itself an effective deterrent. The device contains a 9 VDC battery (included), a selectable 95 or 105 dB horn and a unique steel cable operated switch mechanism. When the extinguisher is removed, the galvanized steel cable is pulled out of the alarm and the horn sounds.

- Reduces theft of vital fire extinguishers
- Reduces vandalism of fire extinguishers
- Completely self-contained
- Does not interfere with fire fighting in any way
- Remote powered 9-12 VDC version available
- Volume: HI 112dB @ 1 ft., 103dB @ 3 ft.  
 LOW 109dB @ 1 ft., 98dB @ 3 ft.



**Safety Technology International**

2306 Airport Road  
 Waterford, Michigan  
 48327, USA

Tel: 248-673-9898  
 Fax: 248-673-1246  
 Toll-free: 800-888-4784  
 info@sti-usa.com  
 www.sti-usa.com

Taylor House  
 34 Sherwood Road  
 Bromsgrove, Worcestershire  
 B60 3DR, England

Tel: +44 (0)1527 520 999  
 Fax: +44 (0)1527 501 999  
 info@sti-emea.com  
 www.sti-emea.com