

PRODUCT DATASHEET

VMMIC100

INTELLIGENT INPUT AND OUTPUT MODULE (MINI MOUNT)

The Argus module range provides an ideal solution to the monitoring and control requirements of most fire detection and alarm systems, ranging from small and simple, to large and complex. By utilising the Argus fully digital communication protocol, reliable and fast operation is achieved even when employing the impressive 240 device loop capacity. A choice of mechanical configurations provides easy integration of the units into a variety of field locations. The VMMIC100 is contained in a compact housing, which can be easily mounted inside third party equipment and provides the capability to remotely monitor a single circuit and control a single ancillary circuit using external power. Both input and output circuits are monitored for fault conditions. Bi-colour LEDs provide local indication of device status.



KEY FEATURES

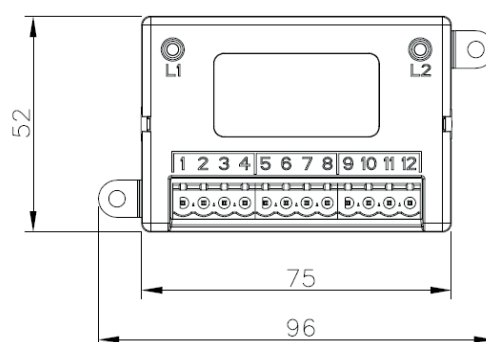
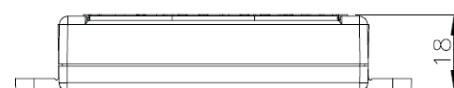
- Employs the highly reliable Argus digital protocol
- 3rd party approval to EN54-17 and EN54-18
- Integrated short circuit isolators to protect and maintain operation
- Loop powered with very low current consumption
- Robust proven design offering operation over a wide temperature range
- Provides both a fully monitored input and output circuit
- Fast fit plug-in cable connections
- Alternate mechanical variants available to satisfy different applications
- Smaller mechanical package size enables the module to be installed inside other enclosures
- Bi-colour status LED
- 5 year product warranty

TECHNICAL SPECIFICATION

- | | |
|----------------------------------|-----------------------------|
| ■ Loop voltage range | 15Vdc – 40Vdc* |
| ■ Normal Standby Current | 250µA @ 24Vdc |
| ■ Alarm Current (1-2 red LED) | 6-12mA @ 24Vdc |
| ■ Physical dimensions | 75 x 52 x 18mm (ex-fixings) |
| ■ Relay ratings | 2A @ 30Vdc |
| ■ Temperature Range (no icing) | -10°C to +55°C |
| ■ Max. humidity (non condensing) | 95% RH |
| ■ Weight | 160g |

*Note: Min 18VDC for operation of LED.

TECHNICAL INFORMATION



STANDARDS & APPROVALS

- BS EN54-17: Short Circuit Isolators
- BS EN54-18: Input/Output Devices



0786