

PRODUCT DATASHEET

VMMI100

INTELLIGENT INPUT MODULE (MINI MOUNT)

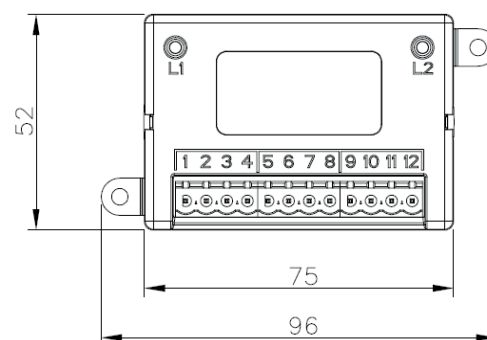
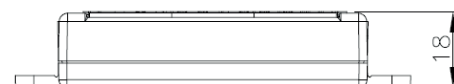
The Argus module range provides an ideal solution to the monitoring and control requirements of most fire detection and alarm systems, ranging from small and simple, to large and complex. By utilising the Argus fully digital communication protocol, reliable and fast operation is achieved even when employing the impressive 240 device loop capacity. A choice of mechanical configurations provides easy integration of the units into a variety of field locations. The VMMI100 is contained in a compact housing, which can be easily mounted inside third party equipment and provides the capability to remotely monitor a single circuit for fault and alarm conditions. Bi-colour LEDs provide local indication of device status.



KEY FEATURES

- Employs the highly reliable Argus digital protocol
- 3rd party approval to EN54-17 and EN54-18
- Integrated short circuit isolators to protect and maintain operation
- Loop powered with very low current consumption
- Robust proven design offering operation over a wide temperature range
- Single monitored input circuit
- Fast fit plug-in cable connections
- Smaller mechanical package size enables the module to be installed inside other enclosures
- Bi-colour status LED
- 5 year product warranty

TECHNICAL INFORMATION



TECHNICAL SPECIFICATION

- | | |
|----------------------------------|-----------------------------|
| ■ Loop voltage range | 15Vdc – 40Vdc* |
| ■ Normal Standby Current | 150µA @ 24Vdc |
| ■ Alarm Current (1 red LED) | 6mA @ 24Vdc |
| ■ Dimensions | 75 x 52 x 18mm (ex-fixings) |
| ■ Temperature Range (no icing) | -10°C to +55°C |
| ■ Max. humidity (non condensing) | 95% RH |
| ■ Weight | 160g |

*Minimum 18V with LED operation

STANDARDS & APPROVALS

- BS EN54-17: Short Circuit Isolators
- BS EN54-18: Input/Output Devices



0786