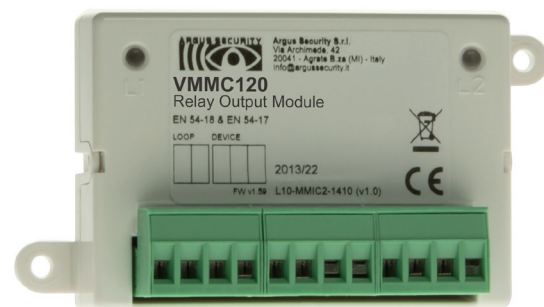


**PRODUCT DATASHEET**

**VMMC120**  
**INTELLIGENT RELAY MODULE (MINI MOUNT)**

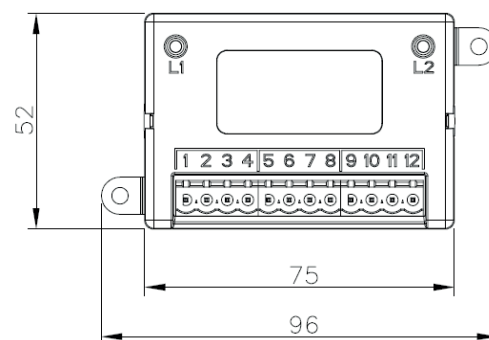
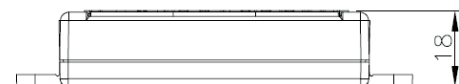
The Argus module range provides an ideal solution to the monitoring and control requirements of most fire detection and alarm systems, ranging from small and simple, to large and complex. By utilising the Argus fully digital communication protocol, reliable and fast operation is achieved even when employing the impressive 240 device loop capacity. A choice of mechanical configurations provides easy integration of the units into a variety of field locations. The VMMC120 is contained in a compact housing, which can be easily mounted inside third party equipment and provides the capability to remotely control ancillary circuits using a single set of volt-free changeover relay contacts. A bi-colour LED provides local indication of device status.



**KEY FEATURES**

- Employs the highly reliable Argus digital protocol
- 3rd party approval to EN54-17 and EN54-18
- Integrated short circuit isolators to protect and maintain operation
- Loop powered with very low current consumption
- Robust proven design offering operation over a wide temperature range
- Dual switched volt-free relay changeover contacts
- Smaller mechanical package size enables the module to be installed inside other enclosures
- Bi-colour LEDs show local status
- Fast fit plug-in cable connections
- 5 year product warranty

**TECHNICAL INFORMATION**



**TECHNICAL SPECIFICATION**

■ Loop Voltage range	15 – 40Vdc*
■ Normal Standby Current	200µA @ 24Vdc
■ Alarm Current (1 red LED)	6mA @ 24Vdc
■ Physical dimensions	75 x 52 x 18mm (ex-fixings)
■ Relay ratings	2A 30VDC
■ Operating Temp. Range (no icing)	-10°C to +55°C
■ Max. humidity (non condensing)	95% RH
■ Weight	160g

\*Note: Min 18VDC for operation of LED.

**STANDARDS & APPROVALS**

- BS EN54-17: Short Circuit Isolators
- BS EN54-18: Input/Output Devices



0786