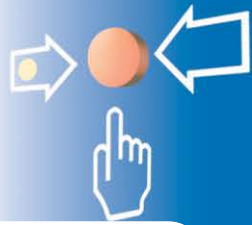
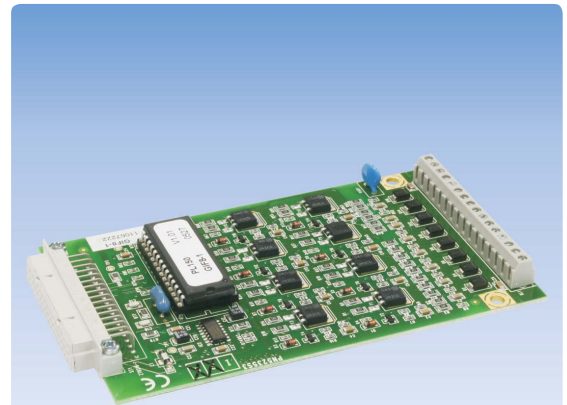


Conventional Detector Interface GIF8-1



- For the connection of 8 detector lines in addressable conventional technology
- Individual detector addressing with optional address module
- Individual setting of detector zone function
- Lines monitored for wire breakage, short circuit, and short to earth



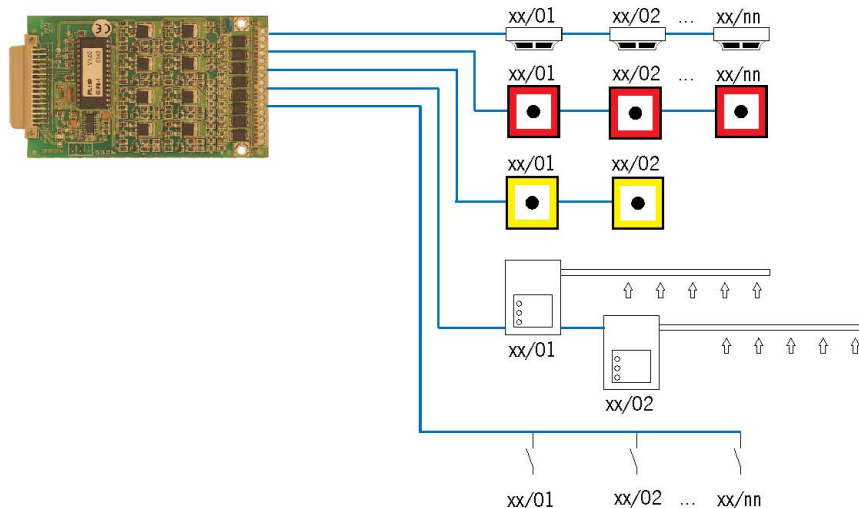
Description

The Conventional Detector Interface GIF8-1 supports eight detector zones in addressable conventional technology in Fire Detection Control Panels Series BC216. Up to 64 detectors (addresses) per detector line can be individually identified with the aid of an address module.

In the event of an alarm, the fire detection control panel indicates the number of the detector that is activated first and displays the optionally parameterised text information. Depending on the type of detector (manual

call point, automatic fire detector with or without alarm verification, fault message contacts as well as contacts for technical messages), the function of the detector zone can be set separately for each detector line.

The Conventional Detector Interface provides a processor of its own. At a possible central processing board failure, the diversified redundancy concept thus ensures reliable alarm recognition. Each input of the Conventional Detector Interface is protected against overvoltage and thus provides high system stability.



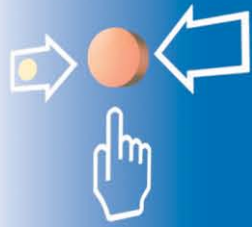
VdS

Building Safety. Building Security.

LST

Specifications

Current consumption at 24V	typ. 50mA (8 zones terminated, without detectors)
Line voltage	typ. 20V
Line current	typ. 3.7mA
End-of-line resistance	5.6k Ω
Line resistance	max. 50 Ω per core
Ambient temperature	-5°C to +50°C
Dimensions L x W x H	132 x 74 x 13 (mm)
Weight	80g
Part No.	214020
Order name	Conventional Detector Interface GIF8-1



Building Safety. Building Security.

LST