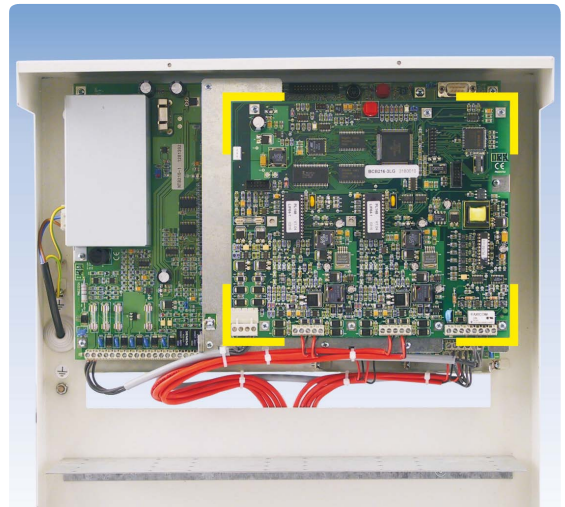


# Control Panel Extension

## Bcnet216: BCE216-3LG

- **BCnet sectional control panel with two integrated loop interfaces**
- **Extends a BCnet sectional control panel BC216-2 or BC216-3 by two loops**
- **Analogue ringbus technology with unshielded detector cabling**
- **Easy installation, also possible later on**



Fire is a permanent threat to life and property. Therefore, immediate response to a fire is imperative. The main objective of the Fire Detection Control Panel Series BC216 is to alarm and to react in time and, consequently, save lives and protect property. For decades LST have focused their aims to undertaking unrivaled efforts in order to realize new innovations in the security area. Research, development and production are loca-

ted within LST premises, thus guaranteeing flexible and reliable individual solutions.

Using a 32-bit multiprocessor system, the Fire Detection Control Panel Series BC216 ensures topmost efficiency and speed – prerequisites for saving lives and minimizing damage to property.

## Description

The BCnet Control Panel/Extension BCE216-3LG allows for the extension of a Fire Detection Control Panel BCnet216 by two ADM loops. The extension is integrated into the Fire Detection Control Panel BCnet216 by installing it in a BCnet sectional control panel BC216-2 or BC216-3 and connecting it to the GSSnet cabling via the GSSnet interface on the extension.

The 24V supply of the BCnet Control Panel/Extension BCE216-3LG is powered from the BCnet sectional control panel in whose cabinet it has been installed; it does not have a power supply or battery charger of its own. The extension is designed as compact unit and mounted on a pivoting sheet steel carrier.

The loop processing functions of the BCE216-3LG fully correspond to the functions of a BCnet Control Panel BC216-2 equipped with two Loop Interfaces LIF64-1.

The ADM loop principle offers intelligent analogue ringbus technology with bi-directional data transfer. Each loop provides for the software-aided administration of up to 318 physical address points in a maximum of 144 detector zones.

Easy parameterisation by means of PC software enables you to optimally adapt the control panel to your individual requirements.

## Clear Concept

The BCnet Control Panel/Extension BCE216-3LG extends a BCnet sectional control panel BC216-2 or BC216-3, respectively, by two ADM loops. It provides the following features:

- Detectors and modules in ADM loop technology can be connected to each Loop Interface LIF64-1. Depending on the parameterisation, either the Apollo/Discovery protocol or the System Sensor/200 protocol is used to achieve bi-directional data transfer.
  - Logical combinations of detectors and detector zones for the activation of external controls and alarming devices facilitate maximum flexibility. Thus, no additional expenses arise for external relays, logic gates or timers. Thanks to the wide range of parameterisation possibilities, individual requirements even under the most difficult ambient conditions can be combined into a reasonable fire protection strategy.
  - By integrating input and output modules on any position in the loop you can realize enablements or disablements as well as control tasks in your system without having to care for additional wires.
  - The free combination of detectors and modules into logic sectors allows for the joint operation of defined parts of the system even beyond the limits of loops or sectional control panels.
  - The use of unshielded loop cables allows for cost-saving and uncomplicated installation as well as for the possibility of reusing the existing cabling.
- At a possible breakdown of the central processing unit which is integrated on the extension, the diversified redundancy concept ensures secure alarm recognition.
  - The parameter data can be created by means of the PC software PARSOFT and loaded into the control panel in a comfortable way. Thus, a quick and efficient transfer of the system configuration into the control panel is guaranteed.
  - AUTO setup facilitates parameterisation when the control panel is commissioned or expanded and thus helps to save time.

The BCnet Control Panel/Extension BCE216-3LG is suitable for later installation in the wall mount cabinet.

Owing to the compact design, a maximum of four loops can be centralized in one single place. The required batteries are accommodated in the wall mount cabinet or in an external auxiliary case. Series BC216 thus stands for modularity and easy expansion.

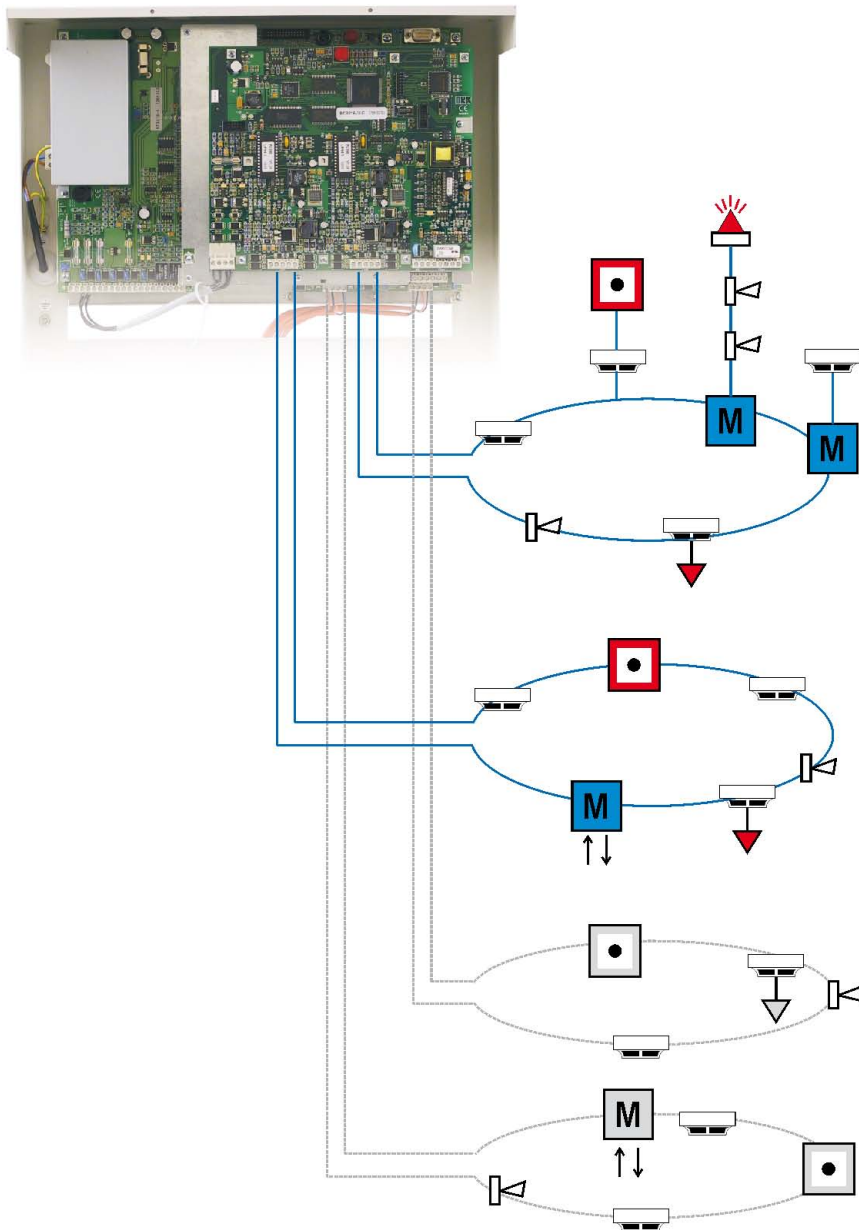
This product complies with all relevant standards of EN 54 and is VdS-certified. In addition, the product also holds several country-specific approvals and certificates. LST's high quality level is secured by a permanently monitored quality management system certified according to ISO 9001.

## Permanent Connection

By means of a BCnet Control Panel/Extension BCE216-3LG, a Fire Detection Control Panel BC216-2 or BC216-3, respectively, can be extended by two

loops. In one case, you thus have up to four loops at your disposal. In addition, a variety of peripheral devices can be connected to this device:

- Fire brigade key safe
- Fire brigade control unit
- Acoustic and optical signaling devices
- External protocol printer
- Remote display and operating panels
- Remote indication unit
- Actuators
- Electronic monitoring system
- Transmitting device for the actuation of pagers via ESPA protocol
- Modules for remote parameterisation and remote maintenance via computer network, modem or GSM connection
- Transmitter module for the transmission of messages via SMS or e-mail
- and much more.



## Distributed Intelligence in the GSSnet

The Fire Detection Control Panel BCnet216 opens up manifold possibilities for the realization of specific requests of fire detection, especially in spacious buildings, high-rise buildings or wide-stretched areas.

The decentralized security network that has been created by BCnet216 offers increased security and reduces the total expenses due to a much lower cabling volume. The consistent ring-shaped cabling guarantees communication between the sectional control panels even in the event of a line fault.

A sectional control panel of the BCnet216 is parameterised as main operating unit for the administration of the GSSnet, all other members can be equipped with or without a display and operating unit.

The system is designed modularly and can be gradually expanded according to future demands. The maximum size of a BCnet216 comprises 127 network members, 9700 detector zones, 9700 actuations, 999 alarming devices, 99 transmitting devices as well as 199 logic sectors. Different interfaces are available for the connection of external information devices, e.g., a facility management system or a remote maintenance system.

Cabling of the detectors is required only between two neighboring sectional control panels. This clear and flexible arrangement of the sectional control panel creates a powerful network. In this way, most economical cabling and thus efficient use of the installation expenses is guaranteed. Larger distances between individual sectional control panels can be bridged through the use of optical fiber modems or long distance modems.

The entire virtual control panel BCnet216 provides for the monitoring in mid-sized and large systems, applying the same technology and the same software tools as with the single control panel BC216-1. This guarantees a minimum of training and expansion costs as well as expenses of the user and thus guarantees the optimal use of resources during the usable life of the building.

BCnet sectional control panels are available in wall mount cabinets, as 19" compact version and in 19" slide-in technology.

## Extinguishing Control System

If required, the BCnet216 can be easily expanded to an Extinguishing Control Panel LCnet216 according to EN 12094-1. The panel can control up to 127 flooding zones in a maximum of 127 extinguishing systems.

The function of the extinguishing control panel is fully integrated into the Fire Detection Control Panel BCnet216, a combined operation is therefore possible.

The LCnet216 is certified to EN 54-2, EN 54-4, EN 12094-1 and VdS as a pure extinguishing control panel and as a combined fire detection and extinguishing control panel.

Optionally, the LCnet216 can be implemented with full hardware redundancy.

## Specifications

Supply voltage	21 – 30 VDC
Current consumption at 24V	140mA (without detectors)
Idle loop current	typ. 300µA per detector/module
Total loop current	max. 300mA (at reduced line resistance)
Idle loop voltage	typ. 26V (Apollo/Discovery) or typ. 29V (System Sensor/200), respectively
Loop line resistance	max. 50Ω per core
Number of ADM loops	2
Number of detector zones	max. 144
Ambient temperature	-5°C to +50°C
Dimensions W × H × D	248 × 222 × 28 (mm)
Weight	approx. 675g
Part No.	214034
Order name	BCnet Control Panel/Extension BCE216-3LG

*Building Safety. Building Security.*

